

What China Didn't Learn From SARS

INTERNATIONAL
Newsweek

**DANGER
ZONE**



**AS U.S.-RUSSIA TENSIONS RISE, A NEW STRATEGY
MAY MAKE NUCLEAR WAR MORE LIKELY**

25.02-04.03.2022

ISSN 2052-1081



- | | | | | | | |
|-------------------|------------------|------------------|------------------|---------------------|----------------------|---------------------|
| ABU DHABI DH35 | CYPRUS €6.50 | GIBRALTAR \$5.05 | KUWAIT KD3.00 | NEW ZEALAND \$14.00 | ROMANIA LEI 42.00 | SPAIN €6.50 |
| ALBANIA €6.25 | CZECH REP CZK180 | GREECE €6.50 | LATVIA €6.50 | NIGERIA \$3.40C | SAUDI ARABIA SR35.00 | SWEDEN SKR79 |
| AUSTRALIA \$11.00 | DENMARK DKR49.95 | HOLLAND €6.95 | LEBANON LL10,000 | NORWAY NKR79 | SERBIA RSD1035 | SWITZERLAND CHF9.30 |
| AUSTRIA €9.20 | DUBAI DH35 | HONG KONG HK80 | LITHUANIA €8.99 | OMAN OR 3.250 | S LEONE SLL30,000 | UK £4.95 |
| BAHRAIN BD3.5 | EGYPT E£ 65.00 | HUNGARY FT1,800 | LUXEMBOURG €6.60 | POLAND PLN28 | SINGAPORE S\$11.95 | US \$9.99 |
| BELGIUM €6.95 | FINLAND €7.60 | IRELAND €6.25 | MALTA €6.50 | PORTUGAL €6.50 | SLOVAKIA €6.50 | ZIMBABWE ZWD4.00 |
| CHINA RMB80 | FRANCE €6.50 | ISRAEL NIS35 | MONTENEGRO €8.30 | QATAR QR65 | SLOVENIA €8.50 | |
| CROATIA HKR70 | GERMANY €7.10 | ITALY €6.50 | MOROCCO MDH70 | MALAYSIA RM27.90 | SOUTH AFRICA R55.00 | |

Reinforcing the development of the industrial world with energy-saving and originally developed technologies

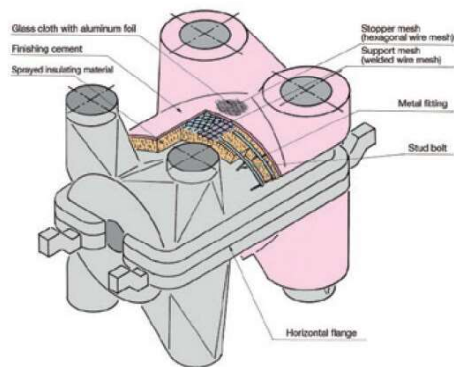


"We are extremely proud that our insulation technology greatly contributes to the realization of a carbon-neutral society and the efficiency of a facility."

Fumio Uchikawa,
President,
Fuji-I-Tec Co., Ltd.

With insulation as its main business, the letter 'I' in Fuji-I-Tec's name represents 'insulation technology', one of several areas in which the company specializes.

"When a plant such as a power generation facility is installed,



Spraying insulating model

we apply insulation, soundproofing, and corrosion-resistant paint. We perform remarkably in these areas, and we will continue to concentrate on these technolo-

Established in 1979, Fuji-I-Tec specializes in heat insulation, sound insulation, fire-proofing, asbestos removal and the painting of various types of plants including power generation facilities – utilizing an integrated system from temperature measurement to design and construction.



Construction site in Hong Kong (CLP Power D-Station)

gies," company president Fumio Uchikawa proudly states.

The power generation industry, in its previous iteration, was an extremely stable one, with highly developed methods and well-honed approaches, meaning companies such as Fuji-I-Tec were able to perfect their business. However, in 2016, the Japanese government decentralized and liberalized the industry, meaning downstream companies were required to reappraise their methods, including Fuji-I-Tec. Furthermore, environmental and energy-saving measures have become paramount, and no more so than in the energy industry. This has provided Fuji-I-Tec with a great opportunity to adapt its originally developed products and services by applying energy-saving technologies, and therefore making a great contribution to the development of the industrial world.

Such a reconfiguration of approach requires a company-wide

adherence to a certain spirit, one which will help Fuji-I-Tec to fearlessly and purposefully head towards its future ambitions. The company's motto provides the underpinning for that innovative path: "Make it earlier and better".

"We want to keep enhancing our comprehensive technological capabilities, aiming to build a company that can provide customers with more satisfaction and reliability in the future," Mr. Uchikawa explains. "For example, we are extremely proud that our insulation technology greatly contributes to the realization of a carbon-neutral society and the efficiency of a facility."

One technology developed to help achieve these goals is Fuji-I-Tec's FIT-type spray method, which is mainly used for large turbines in power generation equipment. It combines mineral wool and a heat-resistant binder, which in turn, creates insulation that is cost-effective and has less of an environmental impact. The conventional insulation method can often be expensive and prone to deteriorate quickly. However, with the FIT-type spray method, the turbine is covered with a cage

and the heat insulating material fills the inside so that a uniform heat insulating layer without gaps can be formed. Therefore, the heat insulation effect is much better than conventional methods. This FIT-type spray method can be applied not only to turbines but also to various types of equipment such as piping, valves and pumps.

An exciting area of growth for Fuji-I-Tec is the company's expansion overseas. With the help of plant construction firm Taihei Dengyo Kaisha, Ltd., which is a



Finished article (spraying insulation)

major shareholder of the company, Fuji-I-Tec has started to make its presence felt in South-east Asian countries.

For instance, it has recently partnered with a company called Kum Shing Group to carry out maintenance work in connection with CLP Power Hong Kong Limited, one of the two electric companies in Hong Kong. With a long-term maintenance contract spanning four-to-five years, the firm is aiming to collaborate with more local companies in Hong Kong.

As recognized by Mr. Uchikawa, a good company ensures high levels of trust from its customers and has an acute awareness of the contribution of its employees to its company, all while creating a work environment that inspires and rewards a job well done. Following these principles, Fuji-I-Tec will continue to contribute to an extremely bright future for all stakeholders.



Head office staff